

## DS-2CD1027G0-L(UF) 2 MP ColorVu Fixed Bullet Network Camera

ColorVu Lite



Hikvision ColorVu technology provides 24/7 vivid colorful images with F1.0 advanced lenses and high performance sensors. F1.0 super-aperture collects more light to produce brighter images. Advanced sensor technology can vastly improve the utilization of available light.

- High quality imaging with 2 MP resolution
- Excellent low-light performance
- Efficient H.265+ compression technology
- Water and dust resistant (IP67)
- 24/7 colorful imaging



## ▪ Specification

| Camera                      |  |
|-----------------------------|--|
| Image Sensor                | 1/2.8" Progressive Scan CMOS   |
| Min. Illumination           | Color: 0.001 Lux @(F1.0, AGC ON), 0 Lux with white light   |
| Shutter Speed               | 1/3 s to 1/100,000 s   |
| Slow Shutter                | Yes  |
| Wide Dynamic Range          | Digital WDR  |
| Angle Adjustment            | Pan: 0° to 360°, tilt: 0° to 90°, rotate: 0° to 360°   |
| Lens                        |  |
| Focal Length & FOV          | 2.8 mm, horizontal FOV 105.2°, vertical FOV 56.5°, diagonal FOV 125.1°<br>4 mm, horizontal FOV 83.6°, vertical FOV 46.2°, diagonal FOV 97.5° |
| Lens Mount                  | M12  |
| Focus                       | Fixed  |
| Aperture                    | F1.0   |
| DORI                        |  |
| DORI                        | 2.8 mm, D: 44.1 m, O: 17.5 m, R: 8.8 m, I: 4.4 m<br>4 mm, D: 53.4 m, O: 21.2 m, R: 10.7 m, I: 5.3 m  |
| Illuminator                 |  |
| Smart Supplement Light      | Yes  |
| White Light Range           | Up to 30 m   |
| Video                       |  |
| Max. Resolution             | 1920 × 1080  |
| Main Stream                 | 50 Hz: 25 fps (1920 × 1080, 1280 × 720)<br>60 Hz: 30 fps (1920 × 1080, 1280 × 720)   |
| Sub-Stream                  | 50 Hz: 25 fps (640 × 480, 640 × 360)<br>60 Hz: 30 fps (640 × 480, 640 × 360)   |
| Video Compression           | Main stream: H.265/H.264<br>Sub-stream: H.265/H.264/MJPEG  |
| Video Bit Rate              | 32 Kbps to 8 Mbps  |
| H.264 Type                  | Baseline Profile/Main Profile/High Profile   |
| H.265 Type                  | Main Profile   |
| H.264+                      | Main stream supports   |
| H.265+                      | Main stream supports   |
| Region of Interest (ROI)    | 1 fixed region for main stream   |
| Audio                       |  |
| Audio Compression           | -UF: G.711ulaw/G.711alaw/G.722.1/G.726/MP2L2/PCM/AAC   |
| Audio Bit Rate              | -UF: 64 Kbps (G.711ulaw/G.711alaw)/16 Kbps (G.722.1)/16 Kbps (G.726)/32 to 160 Kbps (MP2L2)/16 to 64 Kbps (AAC)                              |
| Audio Sampling Rate         | -UF: 8 kHz/16 kHz  |
| Environment Noise Filtering | -UF: Yes   |
| Network                     |  |
| Protocols                   | TCP/IP, ICMP, HTTP, HTTPS, FTP, DHCP, DNS, DDNS, RTP, RTSP, RTCP, NTP, UPnP™, SMTP, IGMP, 802.1X, QoS, IPv6, Bonjour, IPv4, UDP, SSL/TLS     |
| Simultaneous Live View      | Up to 6 channels   |
| API                         | Open Network Video Interface, ISAPI  |

|                                  |  |
|----------------------------------|--|
| User/Host                        | Up to 32 users. 3 levels: administrator, operator and user   |
| Client                           | iVMS-4200, Hik-Connect   |
| Web Browser                      | Plug-in required live view: IE 10+<br>Plug-in free live view: Chrome 57.0+, Firefox 52.0+<br>Local service: Chrome 57.0+, Firefox 52.0+                                |
| <b>Image</b>                     |  |
| Image Settings                   | Saturation, brightness, contrast, sharpness, AGC, white balance adjustable by client software or web browser.  |
| Day/Night Switch                 | Day, Night, Auto, Schedule   |
| Image Enhancement                | BLC, 3D DNR  |
| <b>Interface</b>                 |  |
| Ethernet Interface               | 1 RJ45 10 M/100 M self-adaptive Ethernet port  |
| On-Board Storage                 | -UF: Built-in memory card slot, support microSD card, up to 256 GB   |
| Built-in Microphone              | -UF: Yes   |
| Hardware Reset                   | -UF: Yes   |
| <b>Event</b>                     |  |
| Basic Event                      | Motion detection, video tampering alarm, exception   |
| <b>General</b>                   |  |
| Linkage Method                   | Upload to FTP/memory card (-UF), notify surveillance center, send email, trigger recording (-UF), trigger capture  |
| Camera Material                  | Aluminum alloy body  |
| Camera Dimension                 | ∅76.6 mm × 164.4 mm (∅3" × 6.5")   |
| Package Dimension                | 234 mm × 120 mm × 117 mm (9.2" × 4.7" × 4.6")  |
| Camera Weight                    | Approx. 420 g (0.93 lb.)   |
| With Package Weight              | Approx. 668 g (1.47 lb.)   |
| Storage Conditions               | -30 °C to 60 °C (-22 °F to 140 °F). Humidity: 95% or less (non-condensing)   |
| Startup and Operating Conditions | -30 °C to 60 °C (-22 °F to 140 °F). Humidity: 95% or less (non-condensing)   |
| Web Client Language              | English, Ukrainian   |
| General Function                 | Anti-flicker, heartbeat, mirror, password protection, privacy mask, watermark, IP address filter   |
| Firmware Version                 | V5.5.122   |
| Power Consumption and Current    | 12 VDC, 0.4 A, max. 5 W<br>PoE: (802.3af, 36 V to 57 V), 0.2 A to 0.15 A, max. 6.5 W   |
| Power Supply                     | 12 VDC ± 25%<br>PoE: 802.3af, Class 3  |
| Power Interface                  | ∅5.5 mm coaxial power plug   |
| <b>Approval</b>                  |  |
| EMC                              | FCC SDoC (47 CFR Part 15, Subpart B);<br>CE-EMC (EN 55032: 2015, EN 61000-3-2: 2014, EN 61000-3-3: 2013, EN 50130-4: 2011 +A1: 2014);<br>KC (KN 32: 2015, KN 35: 2015) |

|             |  |
|-------------|--|
| Safety      | UL (UL 60950-1);<br>CB (IEC 60950-1:2005 + Am 1:2009 + Am 2:2013, IEC 62368-1:2014);<br>CE-LVD (EN 60950-1:2005 + Am 1:2009 + Am 2:2013, IEC 62368-1:2014);<br>BIS (IS 13252(Part 1):2010+A1:2013+A2:2015) |
| Environment | CE-RoHS (2011/65/EU);<br>WEEE (2012/19/EU);<br>Reach (Regulation (EC) No 1907/2006)  |
| Protection  | IP67 (IEC 60529-2013)  |

## ▪ Available Model

DS-2CD1027G0-LUF (2.8/4 mm)

DS-2CD1027G0-L (2.8/4 mm)

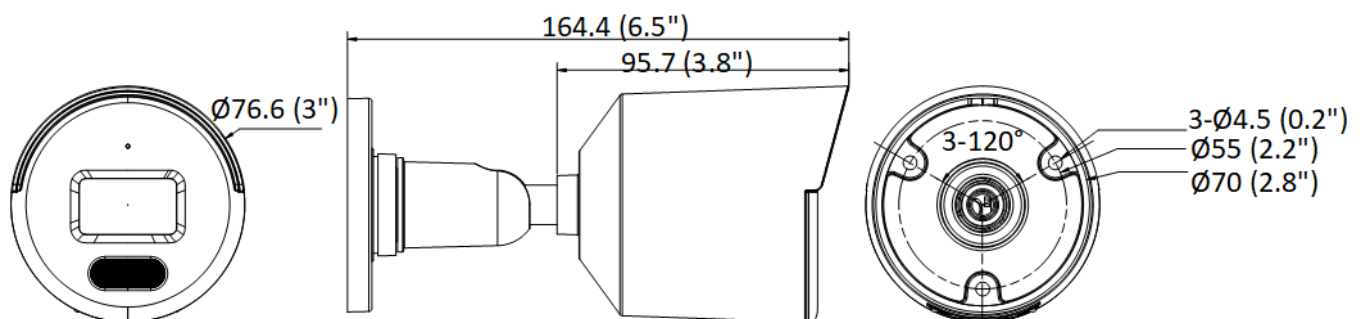
## ▪ Typical Application

Hikvision products are classified into three levels according to their anti-corrosion performance. Refer to the following description to choose for your using environment.

This model has NO SPECIFIC PROTECTION.

| Level                  | Description  |
|------------------------|--|
| Top-level protection   | Hikvision products at this level are equipped for use in areas where professional anti-corrosion protection is a must. Typical application scenarios include coastlines, docks, chemical plants, and more.   |
| Moderate protection    | Hikvision products at this level are equipped for use in areas with moderate anti-corrosion demands. Typical application scenarios include coastal areas about 2 kilometers (1.24 miles) away from coastlines, as well as areas affected by acid rain. |
| No specific protection | Hikvision products at this level are equipped for use in areas where no specific anti-corrosion protection is needed.  |

## ▪ Dimension

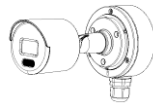


Unit: mm (inch)

- **Accessory**
- **Optional**

**DS-1280ZJ-XS**

**Junction Box**



Distributed by

**HIKVISION®****Headquarters**

No.555 Qianmo Road, Binjiang District,  
Hangzhou 310051, China  
T +86-571-8807-5998  
overseasbusiness@hikvision.com

**Hikvision USA**  
T +1-909-895-0400  
sales.usa@hikvision.com

**Hikvision Australia**  
T +61-2-8599-4233  
salesau@hikvision.com

**Hikvision India**  
T +91-22-28469900  
sales@pramahikvision.com

**Hikvision Canada**  
T +1-866-200-6690  
sales.canada@hikvision.com

**Hikvision Thailand**  
T +662-275-9949  
sales.thailand@hikvision.com

**Hikvision Europe**  
T +31-23-5542770  
sales.eu@hikvision.com

**Hikvision Italy**  
T +39-0438-6902  
info.it@hikvision.com

**Hikvision Brazil**  
T +55 11 3318-0050  
Latam.support@hikvision.com

**Hikvision Turkey**  
T +90 (216)521 7070- 7074  
sales.tr@hikvision.com

**Hikvision Malaysia**  
T +601-7652-2413  
sales.my@hikvision.com

**Hikvision UK & Ireland**  
T +01628-902140  
sales.uk@hikvision.com

**Hikvision South Africa**  
Tel: +27 (10) 0351172  
sale.africa@hikvision.com

**Hikvision France**  
T +33(0)1-85-330-450  
info.fr@hikvision.com

**Hikvision Kazakhstan**  
T +7-727-9730667  
nikia.panfilov@hikvision.ru

**Hikvision Vietnam**  
T +84-974270888  
sales.vt@hikvision.com

**Hikvision UAE**  
T +971-4-4432090  
salesme@hikvision.com

**Hikvision Singapore**  
T +65-6684-4718  
sg@hikvision.com

**Hikvision Spain**  
T +34-91-737-16-55  
info.es@hikvision.com

**Hikvision Tashkent**  
T +99-87-1238-9438  
uzb@hikvision.ru

**Hikvision Hong Kong**  
T +852-2151-1761  
info.hk@hikvision.com

**Hikvision Russia**  
T +7-495-669-67-99  
saleru@hikvision.com

**Hikvision Korea**  
T +82-(0)31-731-8817  
sales.korea@hikvision.com

**Hikvision Poland**  
T +48-22-460-01-50  
info.pl@hikvision.com

**Hikvision Indonesia**  
T +62-21-2933759  
Sales.Indonesia@hikvision.com

**Hikvision Colombia**  
sales.colombia@hikvision.com